



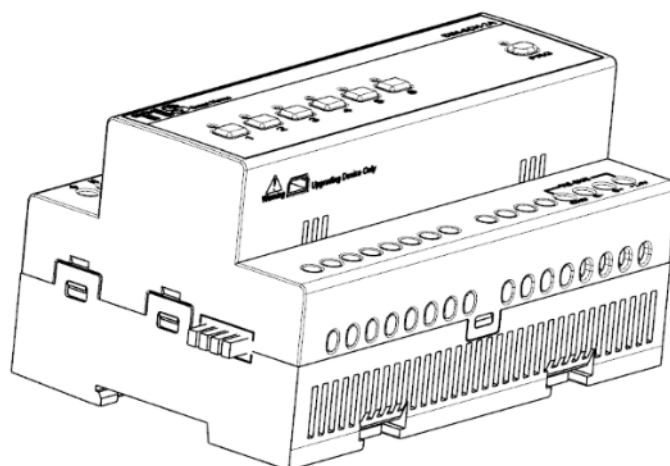
Room Control Unit

8 IN 8 Out

RCU Module

Model: RCU-8I8O

Data Sheet Rev 1.1



Safety instructions

Electrical equipment may only be installed and fitted by electrically skilled persons. Failure to observe the instructions may cause damage to the device and other hazards. These instructions are an integral part of the product, and must remain with the end customer.

Basic information

This device is a product of the TIS system. It is a DIN-rail mountable device with 8 independent free voltage Relay channels with 1 channel include 0-10 Volte output to for dimming beside the 8 digital inputs which can be controlled separately with TIS protocol messages, technical knowledge obtained in TIS training courses is a prerequisite to proper understanding how to install device. Basic Manual Programming can be done without the software. Advanced Programming knowledge about software obtained in the advanced training courses.

Intended use

Control lighting, curtains, e.g. light on/off, shades open/close, Master switch, sensor and normal switch covert to digital one for hotel room.

Product characteristics

Outputs	Number of channels Nominal voltage Nominal current per channel Maximum total channels load Analog Output	8 0 – 230 V AC 50/60 Hz Ch1 20A, Ch 2-8 10 A / 230 VAC 90 A / 230 VAC Ch8 include 0-10V output for dimming
Output switching current	Max switching current Max Continues current Max. switching Voltage	16A/230 VAC Resistive 8A/230 VAC florescent 10A/230 VAC 440VAC / 125VDC
Output service life	Mechanical service life	> 10,000,000 Times
Output switching times	Operating time Releasing time Max. operating frequency	15mS (at nomi. Volt) 8 mS (at nomi. Volt) 20 cycle/min
Input	Number of channels Input Type Length of connected wire	8 Digital input. Open / Close < 350 meter
TIS Bus	Number of devices on 1 line Bus voltage Current consumption (Normal) Current consumption (Peak) Protection	Max. 64 12-32 V DC <30 mA / 24 V DC <40 mA / 24 V DC Reverse Polarity Protection
Reaction time		approx. 20ms
Operating and display elements	Programming button/LED 1-8 buttons By TIS bus Programming Upgrading	For assignment of the physical address Manually ON/OFF and Programming TIS Protocol messages and commands Manual basic Prog, or by software. 1 X mini USB for up to date upgrading.
Mounting	Din Rail Wall mount	Standard 35 mm Din rail screw holder on the back of the module
Connection terminal	Load and Power Data / bus	Screw terminal 0,25...4mm ² Male female connectors Link + screw Terminal
Functions	Lighting control ON/OFF Dimming Curtain control Fan speed control Dimming Scenes 8 Digital inputs	8 channel controlled separately Can set 4 group of curtain (open/close) option Can set 2 group of Fan (low, med, high) option Ch 8 used with 0-10V output for dimming 12 different scenarios Programmable inputs to connect to normal wall switches and sensors
Weight	Without packaging	0.45 KG
Dimensions	Width x length x height	91mm x 145mm x 75mm
Housing	Materials Casing color Button color IP rating	ABS anti fire Black Gray Silver IP 20
Temperature range	Operation Storage Transport	0...60°C -20...50°C -25...75°C
Air humidity		<85% non-condensing

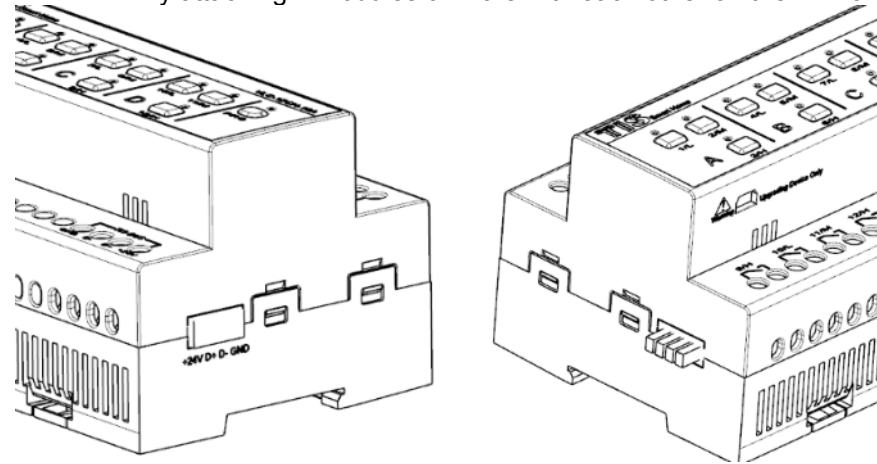
Wiring diagram

Data connection

TIS Bus connection can be done by 2 ways

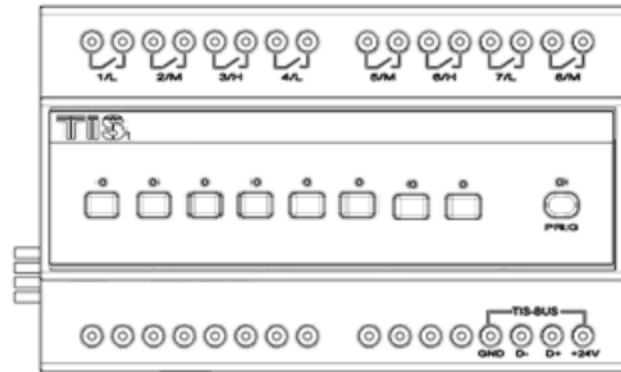
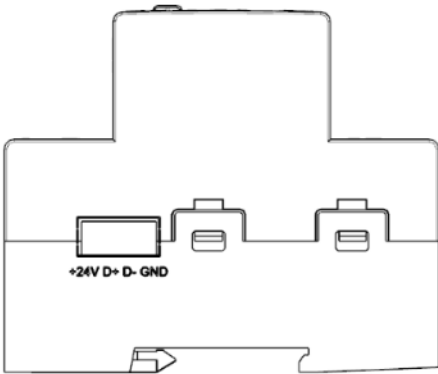
A- Train Connector

By attaching 2 modules or more with each other on the Din rail



B- Screw terminals connection

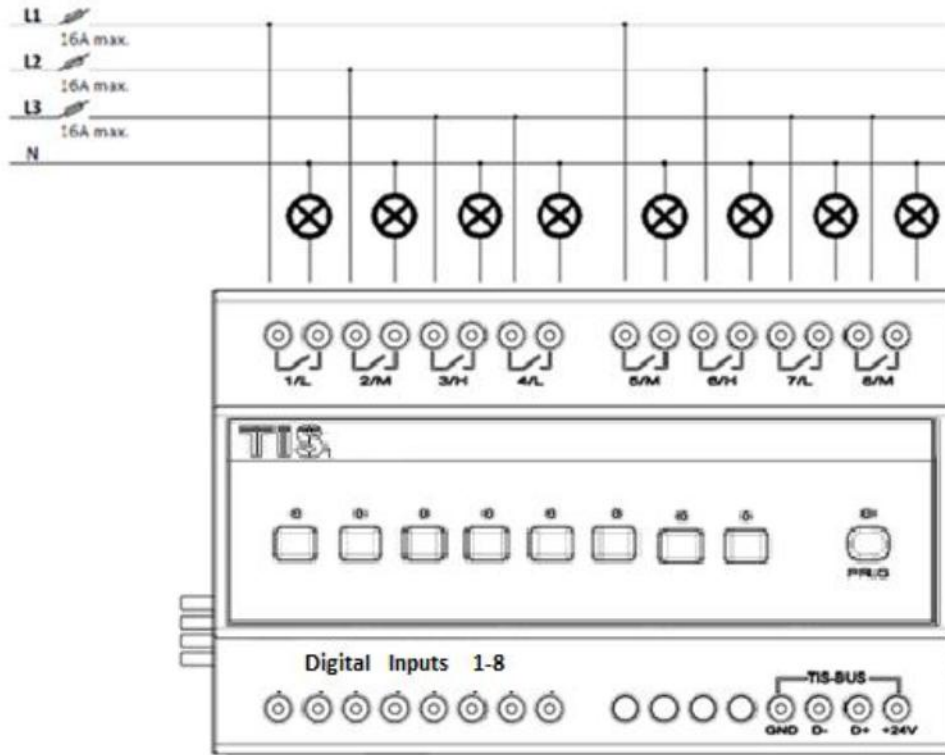
By using the Cat5e cable to connect to TIS bus 4 terminals (24V, D+, D-, GND)



Recommended UTP cat5e color connection

- 24V – Orange
- D+ – Blue
- D- – White Blue
- GND – White Orange

Electrical wire Connections:



Input Phase:	1.5 or 2.5 mm electrical wire.
Load connection (1-12) :	1.5 or 2.5 mm electrical wire.



Warranty

We provide a warranty as provided for by law.

Hologram warranty seal and product serial number is provided by each device.

Please send the description of the defect with Product S/N to our dealer network.

info@tissmarthome.com

www.tissmarthome.com